

7"/8"/10.1"/12.1"/15", Intel Bay Trail E3845/N2930, Fanless Industrial Compact Size Panel PC



ARCHMI-8XX Series



ARCHMI-807/ARCHMI-808



ARCHMI-810/ARCHMI-812/ARCHMI-815



Features

- 7"/8"/10.1"/12.1"/15" Industrial Compact Size Panel PC
- Flat front panel touch screen
- Fanless design
- Intel Bay Trail N2930(1.83GHz) CPU built-in/E3845(1.91GHz) for option
- Onboard 2GB DDR 3L 1600 MHz/4GB(option)
- 9~36VDC wide-ranging power input
- IP65 compliant front panel
- Optional projected capacitive touchscreen support 7H anti-scratch surface

Specifications

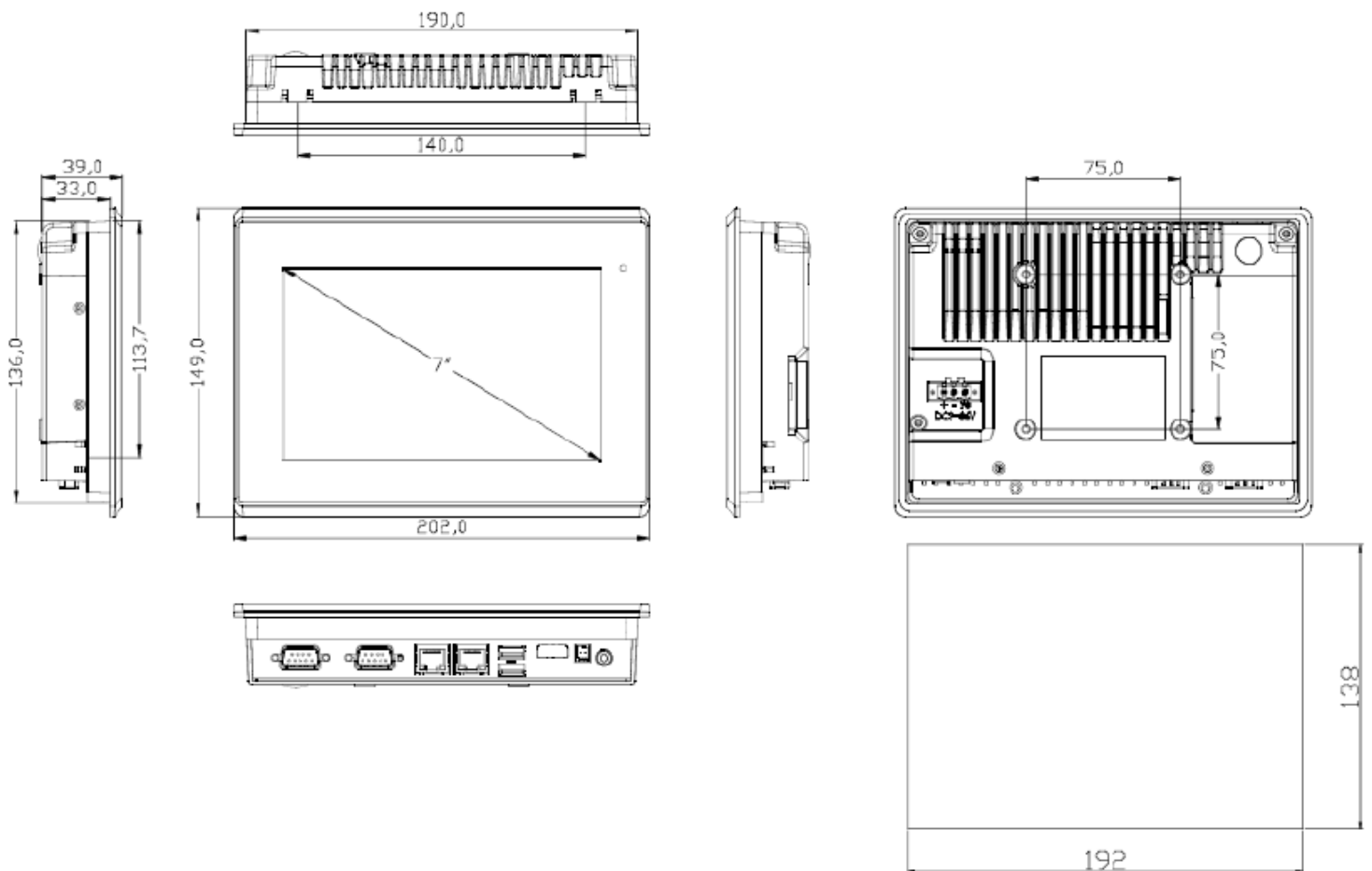
	ARCHMI-807(P)	ARCHMI-808(P)	ARCHMI-810(P)	ARCHMI-812(P)	ARCHMI-815(P)
System					
CPU	Onboard Intel Bay Trail N2930(1.83GHz) Processor/E3845(1.91GHz) for option				
System Chipset	SoC				
Memory	Onboard 2GB DDR 3L 1600 MHz/4GB(option)				
IO Port					
USB	1 x USB 2.0 type A				

	1 x USB 3.0 type A				
Serial/Parallel	1 x RS-232 DB-9(COM2) 1 x DB-9 RS-232/422/485 (Default RS-232)(COM1)				
Audio	1 x Audio Line Out				
LAN	2 x GbE LAN RJ-45				
HDMI	1 x HDMI Port (reserved, no printing)				
Power	1 x 3-pin DC Power input terminal 1 x 2-pin connector for power on/off button				
Option	(Only for ARCHMI-810, ARCHMI-812, and ARCHMI-815) 2 x RS-232 DB-9 + 1 x Mini-PCIe slot via TB-528C2ME1 2 x CAN bus via TB-528CAN2 2 x USB 2.0 type A Via TB-528U2 2xUSB 2.0 type A + 1xMini-PCIe slot + 1xRS-232 DB-9 via TB-528C1U2P1 for 812 and 815 (2xUSB 2.0 type A + 1xMini-PCIe slot + 1xRS-232 DB-9 via TB-528C1U2 for ARCHMI-810)				
Storage Space					
HDD	1 x SATA MO-297 SDD bay, up to 64GB (Easy Accessible) for 7" and 8" 1 x 2.5" SATA HDD bay for SATA HDD (Easy Accessible) for 10.1", 12.1", and 15"				
Movable device	1 x SD card slot, up to 32GB				
Expansion					
Expansion Slot	1 x Internal Mini-PCIe slot full size				
Display					
LCD Size	7"	8"	10.1"	12.1"	15"
Max. Resolution	800 x 480	800 x 600	1280 x 800	800 x 600	1024 x 768
Max. Color	262K	16.2M	16.2M	16.2M	16.2M
Luminance (cd/m ²)	350	350	350	450	300
Contrast Ratio	400 : 1	500 : 1	800 : 1	800 : 1	800 : 1
Viewing Angle	140(H) / 110(V)	140(H) / 125(V)	160(H) / 160(V)	160(H) / 140(V)	170(H) / 170(V)
Backlight Lifetime	40,000 hrs	40,000 hrs	50,000 hrs	50,000 hrs	50,000 hrs
Touch screen - Resistive Touch Window Type					
TS Control IC	PenMount 6000 on Board				
Interface	USB Interface				
Light Transmission	Over 80%				
Touch Screen - Projected Capacitive Type					
TS Control IC	Chip on tail				
Interface	USB interface				
Light Transmission	Over 90%				
Power					
Power Input	9~36V/DC				
Mechanical					
Color	RAL 9007				

Construction	Aluminum Die-casting Front Bezel and Chassis				
Mounting	Panel Mounting, VESA 75 x 75		Panel Mounting, VESA 100 x 100		
Dimension (mm)	202 x 149 x 39	231 x 176 x 50	285 x 189 x 49	319 x 245 x 52	410 x 310 x 55
Environmental					
Operating temperature(°C)	0~50°C				
Storage temperature(°C)	-20~60°C				
Storage humidity	10 to 90% @ 40°C, non- condensing				
Certification	Meet CE / FCC CLASS A				
Operating System Support	Windows Embedded Compact 7, Windows 7, Windows Embedded Standard 7, Windows 8, Windows Embedded 8 Standard, Windows 8.1, Windows Embedded 8.1 Industry				

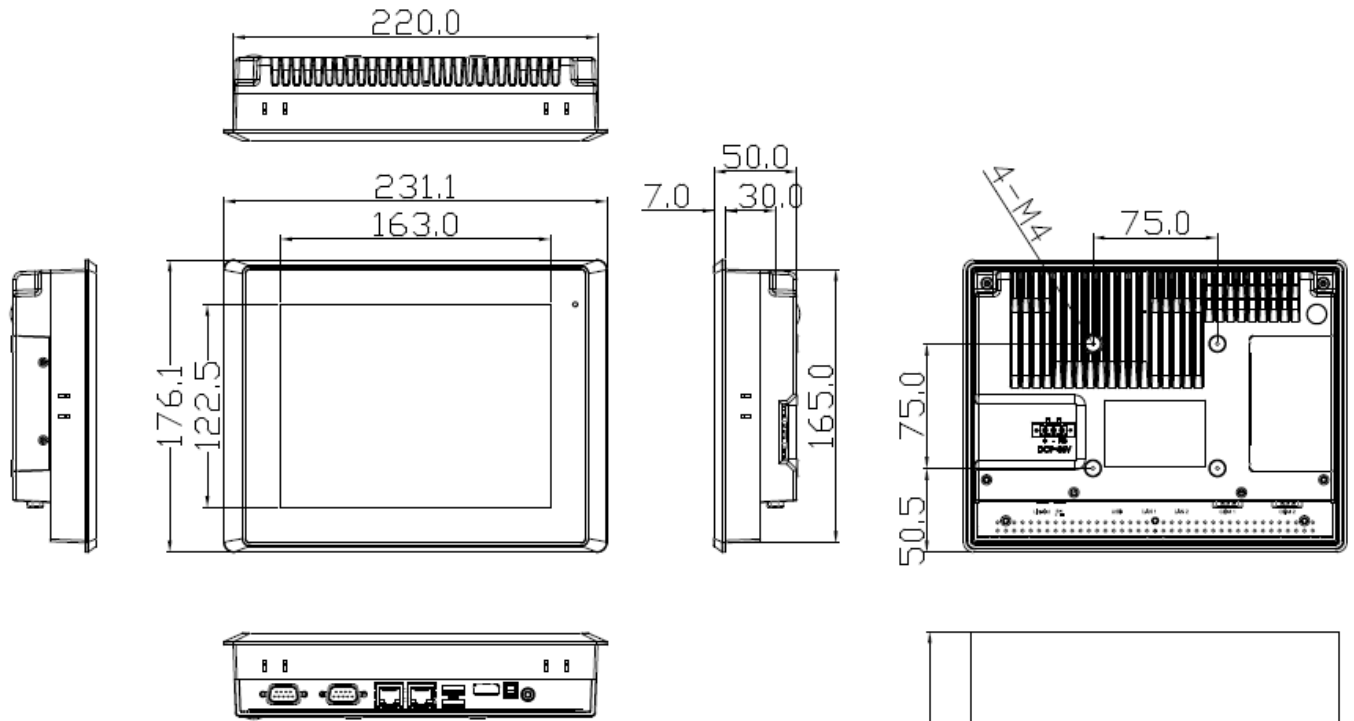
Dimensions

ARCHMI-807(P)

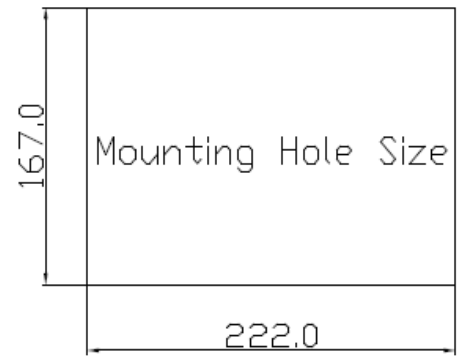


Mounting Hole Size

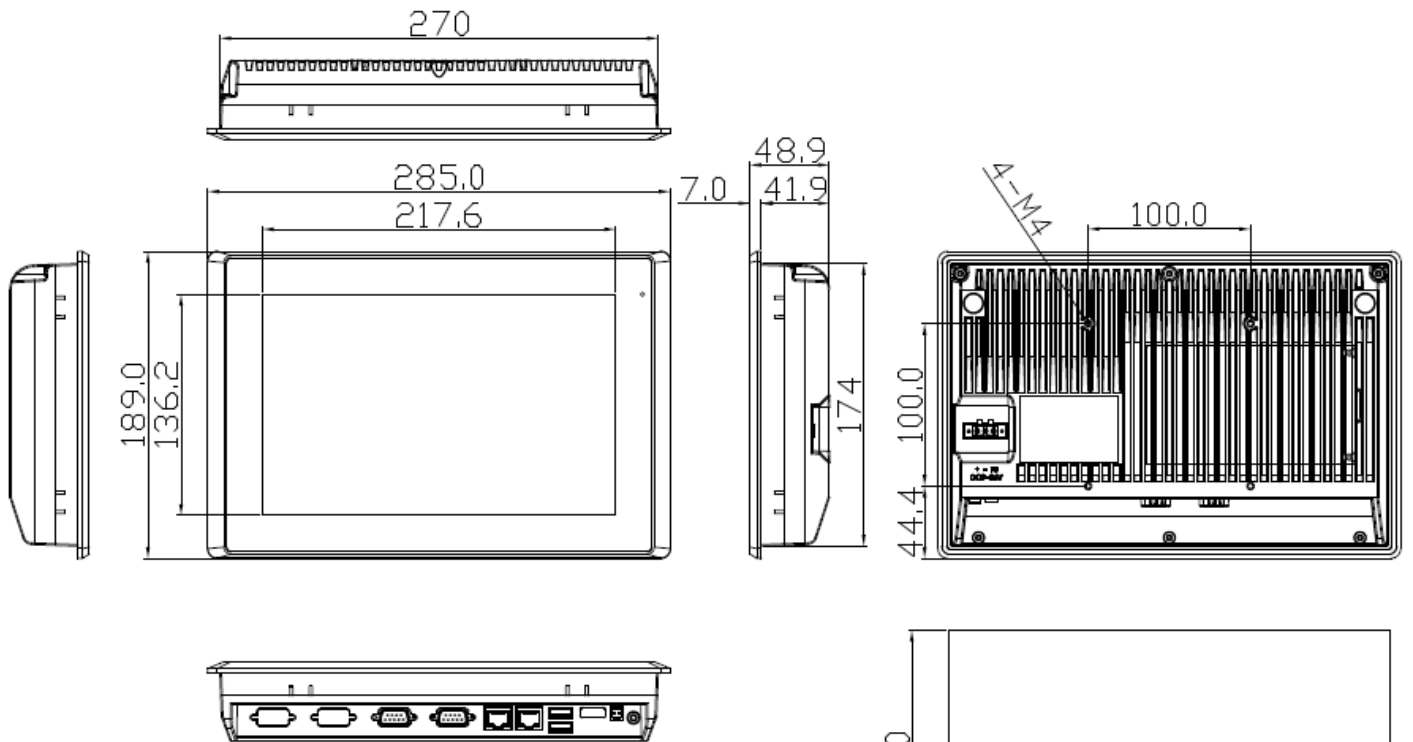
ARCHMI-808(P)



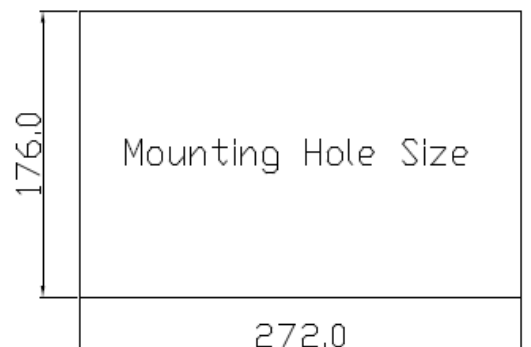
UNIT: mm
Tolerance: ± 0.5



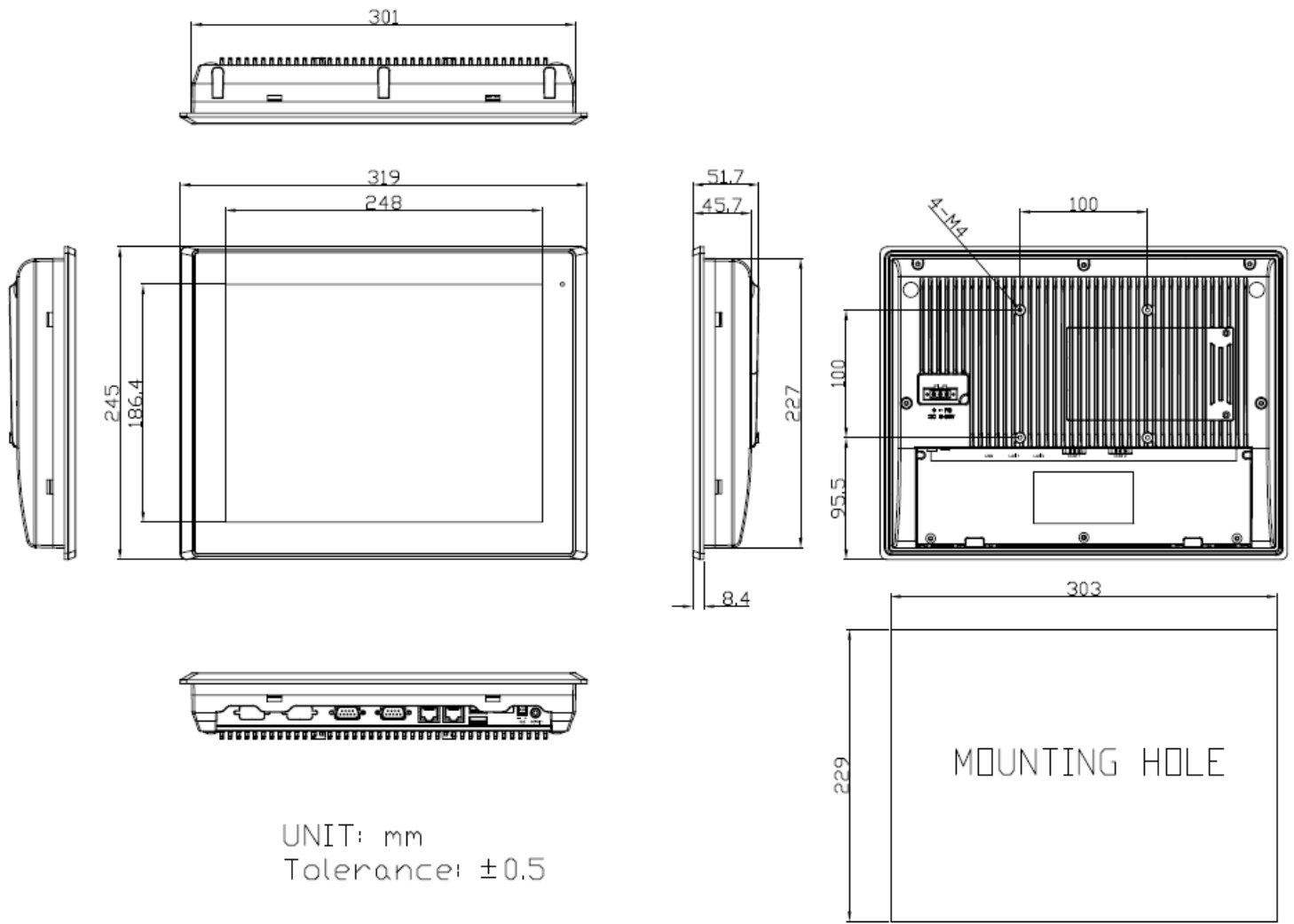
ARCHMI-810(P)



UNIT: mm
Tolerance: ± 0.5



ARCHMI-812(P)



ARCHMI-815(P)

